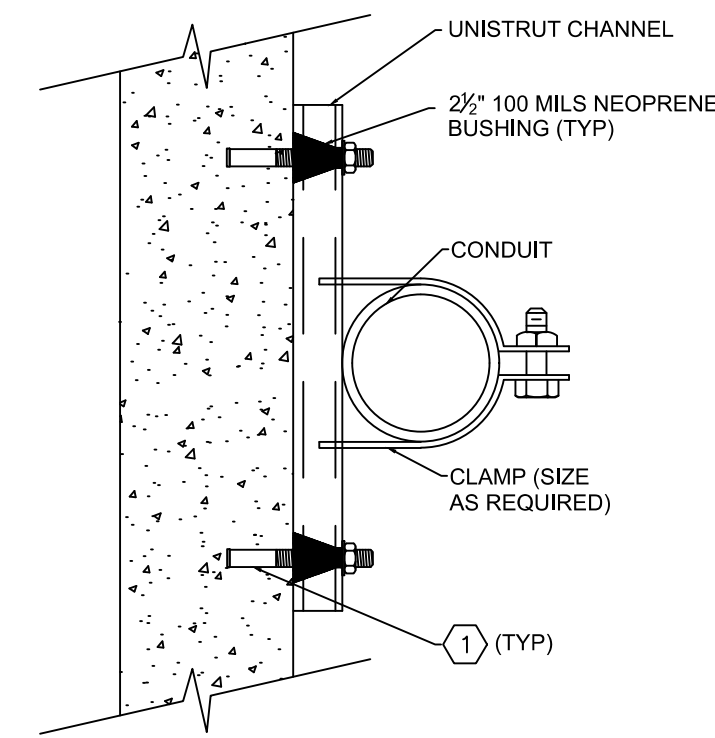


NOTES:
 1. SECURE ANCHOR CHANNELS TO BRACE POSTS USING 3" GALVANIZED U-BOLTS.
 2. DIMENSION A, B, AND C WILL VARY DEPENDING ON EQUIPMENT TO BE INSTALLED.

4 ELECTRICAL EQUIPMENT ANCHORING FRAME ASSEMBLY

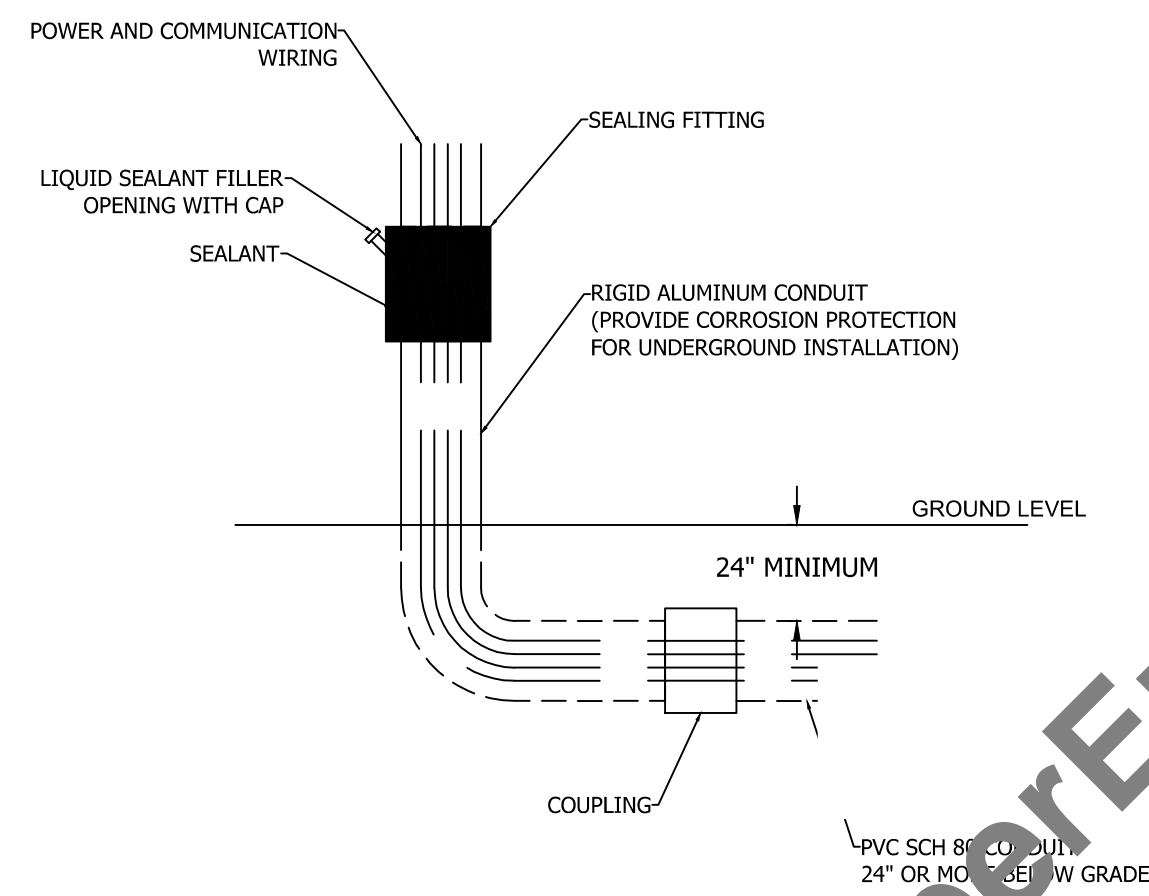
NTS



NOTES BY SYMBOL:
 1. 3/4" DIAMETER GALVANIZED STEEL ANCHOR WITH ADHESIVE SYSTEM FOR HOLLOW OR SOLID CMU, SIMPSON ACRYLIC-TIE OR EQUAL.

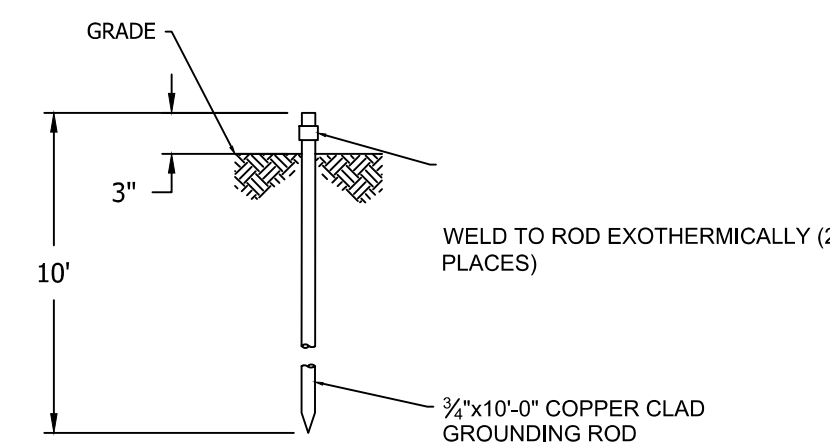
1 GROUND OR WALL EXPOSED CONDUIT INSTALLATION

NTS



2 UNDERGROUND CONDUIT SEAL-OFF

NTS



3 GROUNDING/GROUND ROD DETAIL

NTS



ISSUE:

REV	DESCRIPTION	DATE

JOB # 2020915

DRAWN BY PD

CHECKED BY YR

COMMUNITY WASTE DISPOSAL
 CNG STATION EQUIPMENT EXPANSION

DALLAS, TX 75220
 PHONE: 214 291 4460

ELECTRICAL DETAILS

E400

SHEET 14 OF 17

SCALE

DATE NOVEMBER 11, 2020